



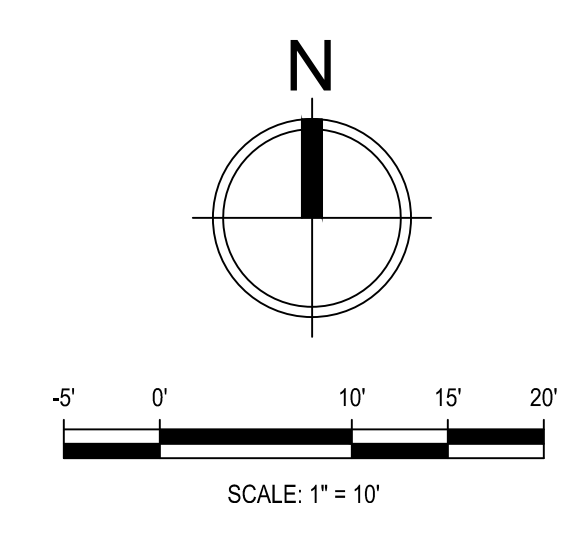
LEGEND

	PV MODULE
	SHADE PATH
	FENCE LINE
	PROPERTY LINE
	DC CONDUIT
	AC CONDUIT
	EXISTING SERVICE
	AC DISCONNECT
	PANELBOARD
	INVERTER
	HVAC/OBSTRUCTION
	VENT
	SKYLIGHT

SYSTEM SUMMARY

SYSTEM TYPE:	ROOF MOUNT PV SYSTEM LATITUDE 38.0°
DC STC:	20.16 kW
AC NAME PLATE:	18 kW
TOTAL PV MODULES:	(56) SUNPOWER SPR-X22-360-COM 360W
INVERTER:	(2) SOLAREEDGE 9kW

GENERAL NOTES:
 - FINAL SYSTEM SIZING IS CONTINGENT UPON VERIFICATION OF SHADING OBSTRUCTIONS.
 - FINAL APPROVAL WILL BE CONTINGENT UPON THE AUTHORITY HAVING JURISDICTION.
 - FIRE ACCESS THROUGH ARRAYS PER GFC 2013.



SOLARCRAFT SERVICES INC
 285-D BEL MARIN KEYS BLVD
 NOVATO, CA 94949
 (415) 328-8578
 CSLB 497797

LUCAS VALLEY HOA
PHOTOVOLTAIC SYSTEM
 1201 IDYLBERRY ROAD
 SAN RAFAEL, CA 94903

REV	DATE	DESCRIPTION

DESIGNER:	PHONE NUMBER:	415-985-3899
PROJECT CONTACT:	PHONE NUMBER:	

PROJECT PHASE: **PRELIMINARY**

DATE: 10/20/2016

TITLE SHEET:

SITE PLAN

SHEET No. **PV1**

CONFIDENTIAL. THIS DRAWING, DATA, DESCRIPTIONS, AND OTHER INFORMATION CONTAINED HEREIN ARE CONSIDERED AS EXPRESS PROPERTY OF SOLARCRAFT, AND SHALL NOT BE PUBLISHED, REPRODUCED, COPIED, DISCLOSED, OR USED, IN WHOLE OR IN PART, FOR ANY PURPOSE WITHOUT THE EXPRESS WRITTEN PERMISSION OF A DULY AUTHORIZED REPRESENTATIVE OF SOLARCRAFT. ALL RIGHTS RESERVED.